

SPECIFICATIONS

Material: HEXSEALS: Silicone rubber conforms to A-A-59588 Class III, GR 60 unless otherwise specified.

Mounting Nut: HEXSEALS: ALUMINUM INSERT

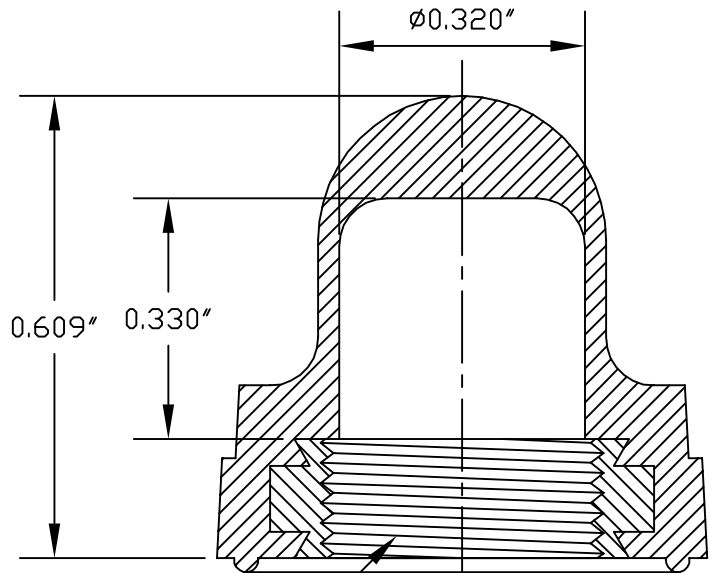
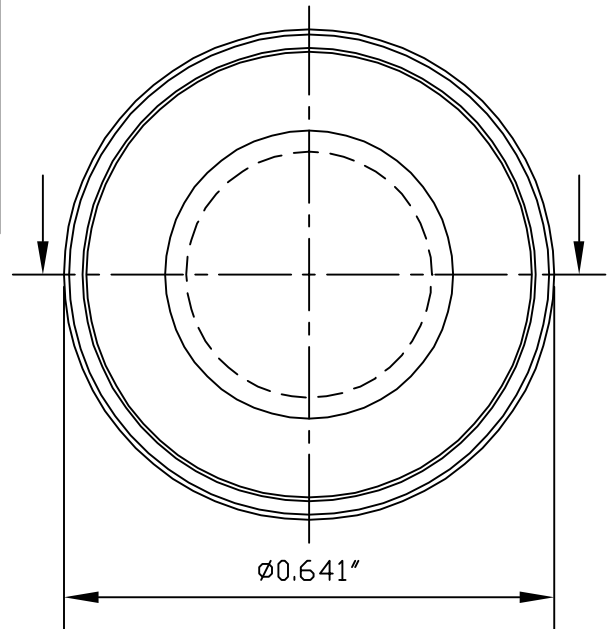
Temperature Range: HEXSEALS: -94°F to +400°F

Pressure Range: Exceeds 15 psi internal and 1500 psi external.

Operational Life: 50,000 actuations (minimum).

Shelf Life: Excess of 25 years.

Resistant to: Salt spray, sunlight, ozone, weather, fungus, and most acids and lubricating oils



THREAD 3/8-27NS-2B

| | | | |
|---|-------------------------------|--------------|--------------------------------|
| B | REDRAWN AND MAT'L CHANGED | S. GOK | 04.03.09 |
| A | CAD COMPUTER GENERATED | | 09.23.02 |
| REV. | DESCRIPTION | | DATE |
| MAXIMUM AND MINIMUM MEASUREMENTS ARE STATED DIRECTLY ON EACH DIMENSION. | TITLE: BOOT-PLUNGER (1221/12) | ENG. | |
| | | DWN. CARBONE | 05.13.69 |
| MAT'L: Silicone Rubber A-A-59588, Gr.60 | APM-HEXSEAL CORPORATION | CHKD. NICK | 05.13.69 |
| | | SCALE 4:1 | DWG. NO. (1221/12) HEXSEAL® |
| FINISH: | | | |

THIS DRAWING COVERS PROPRIETARY ITEM AND IS THE PROPERTY OF THE APM-HEXSEAL CORPORATION.
THIS DRAWING IS NOT TO BE COPIED OR USED WITHOUT THE WRITTEN APPROVAL OF AN OFFICER OF THE APM-HEXSEAL CORPORATION.